

Electric towing tractor 30.0 ton

Simai

Four wheel-series

TE301



Electric towing tractor 30.0 ton

Truck specifications					TE301
Identification	1.1	Manufacturer			Simai S.p.A
	1.2	Model			TE301
	1.3	Drive			Electric
	1.4	Operator type			Sit-on
	1.5	Load capacity/rated load ¹⁾	Q	kg	30000
	1.7	Rated drawbar pull	F	N	6000
	1.9	Wheelbase	y	mm	2143
Weight	2.1	Service weight (with battery)		kg	4200
	2.2	Axle load, with load, front/rear		kg	2070 / 2390
	2.3	Axle load, without load, front/rear		kg	1980 / 2220
Wheels	3.1	Tyre - Cushion(Cu), Extra-elastic(SE), Pneumatic(Pn),Polyurethane			SE/Pn
	3.2	Wheel size, front			6.50-10
	3.3	Wheel size, rear			7.00-12
	3.5	Wheels, number front/rear (x = driven wheels)			2/2x
	3.6	Track width, front	b ₁₀	mm	1115
	3.7	Track width, rear	b ₁₁	mm	1110
	Dimensions	4.7	Height of cabin	h ₆	mm
4.8		Seat height	h ₇	mm	986
4.8.1		Step on platform height		mm	512
4.12		Coupling height	h ₁₀	mm	355 - 410 - 465 - 520 - 575
4.13		Loading height	h ₁₁	mm	1110
4.16		Platform length	l ₃	mm	630
4.17		Rear Overhang	l ₅	mm	525
4.18		Width of loading surface	b ₉	mm	1060
4.19		Overall length	l ₁	mm	3080
4.21		Overall width	b ₁	mm	1377
4.32		Ground clearance, centre of wheelbase	m ₂	mm	200
4.35		Turning radius front	W _a	mm	3355
4.35.1		Turning radius rear		mm	2315
4.36		Internal turning radius	b ₁₃	mm	1587
4.36.1		Aisle width when turning 90°		mm	2511
Performance data	5.1	Travel speed, with/without load		km/h	12 / 25
	5.6	Max. drawbar pull		N	20000
	5.7	Gradeability with/without load		%	See chart
	5.8	Max. gradeability with/without load		%	See chart
	5.10	Service / parking brake (I=Hydraulic E=Electromagnetic M=Mechanical)			I / I
	5.10.1	Type of service brake front/rear			Disk / mult. disks
Electric motor	6.1	Drive motor rating S2 60 min		kW	2 x 10
	6.3	Battery according to DIN 43531 / 35 / 36 A, B, C, no			43536 A
	6.4	Battery voltage, nominal capacity ²⁾	K ₅	V/Ah	80 - 620
	6.5	Battery weight		kg	1565
	6.6	Energy consumption according to EN 16796		kWh/h	9,39
Others	8.1	Type of drive control			Inverter AC
	8.4	Sound level at driver's ear according to EN 12053		dB(A)	69

¹⁾ Loading surface capacity: 100 kg.

²⁾ Performances and weight are intended with 620 Ah battery.

As per VDI guidelines 2198, this datasheet applies to standard electric tractor / platform truck only.

Dimensions are not binding and can be changed in any moment. The performances must be intended for brand new machines, after having completed the running-in tested in San Donato Milanese factory in normal climatic conditions.

Performances and weight are to be intended with standard motors and battery and with superelastic tires.

Some data can vary according to different equipments.

Dimensional drawings

EXAMPLE OF GRAPH READING:

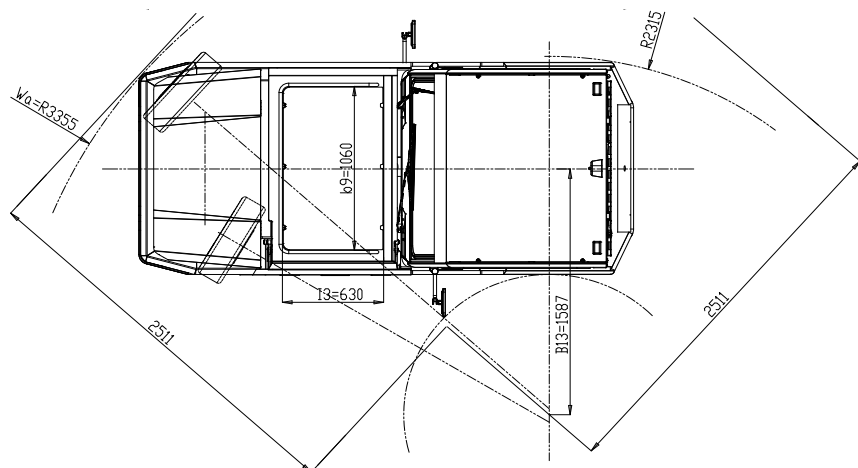
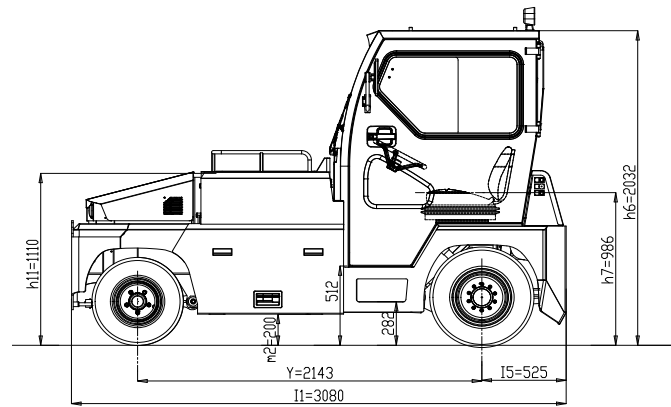
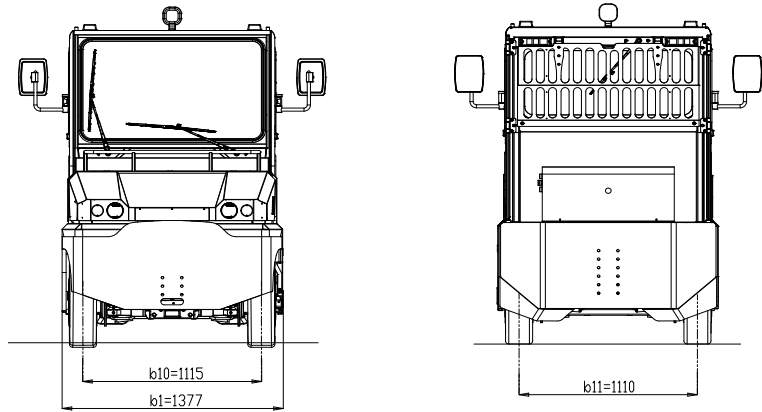
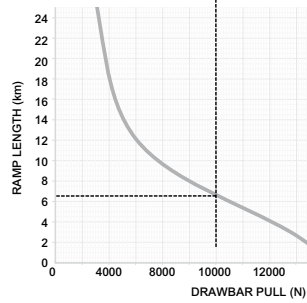
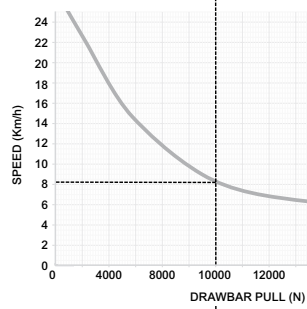
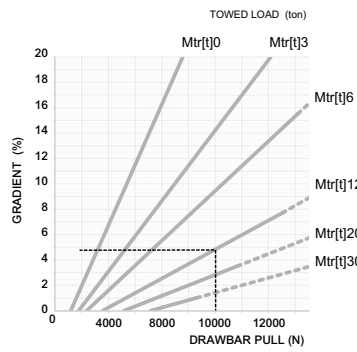
TOWED LOAD = 12 t

GRADIENT (i) = 4 %

DRAWBALL PUL (F) = 10000 N

SPEED (V0) = 8 km/h

MAX. PRACTIBLE RAMP LENGTH (s) = 6 km



Standard equipments:

- Inching buttons
- Operator presence system
- Side battery exchange
- Adjustable steering column
- AC power system
- Pneumatic tyres
- 2 steps entrance
- Negative parking brake
- Regenerative braking
- Head and taillights, turn signal lights
- Digital display
- Front platform

