

Electric platform truck 2.0 ton

Simai

Four wheel-series

PE20.1



Electric platform truck 2.0 ton

Truck specifications					PE20.1
Identification	1.1	Manufacturer			Simai S.p.A
	1.2	Model			PE20.1
	1.3	Drive			Electric
	1.4	Operator type			Sit-on
	1.5	Load capacity	Q	kg	2000
	1.5.1	Towing capacity	Q	kg	10000
	1.7	Rated drawbar pull	F	N	2200
	1.9	Wheelbase	y	mm	1875
Weight	2.1	Service weight (with battery)		kg	2200
	2.2	Axle load, with load, front/rear		kg	1710 / 2650
	2.3	Axle load, without load, front/rear		kg	1200 / 1000
Wheels	3.1	Tyre - Cushion(Cu), Extra-elastic(SE), Pneumatic(Pn),Polyurethane			SE/Pn
	3.2	Wheel size, front			6.00-9
	3.3	Wheel size, rear			6.00-9
	3.5	Wheels, number front/rear (x = driven wheels)			2/2x
	3.6	Track width, front	b_{10}	mm	894
	3.7	Track width, rear	b_{11}	mm	1050
Dimensions	4.7	Height of cabin	h_6	mm	1900
	4.8	Seat height	h_7	mm	890
	4.8.1	Step on platform height		mm	390
	4.12	Coupling height	h_{10}	mm	370
	4.13	Loading height	h_{11}	mm	750
	4.16	Platform length	l_3	mm	2000
	4.17	Rear overhang	l_5	mm	640
	4.18	Platform width	b_9	mm	1346
	4.19	Overall length	l_1	mm	3405
	4.21	Overall width	b_1	mm	1435
	4.32	Ground clearance, centre of wheelbase	m_2	mm	150
	4.35	Turning radius front	W_a	mm	3420
	4.35.1	Turning radius rear		mm	2350
	4.36	Internal turning radius	b_{13}	mm	1525
	4.36.1	Aisle width when turning 90°		mm	2600
Performance data	5.1	Travel speed, with/without load		km/h	18 / 21
	5.6	Max. drawbar pull		N	8000
	5.7	Gradeability with/without load		%	See chart
	5.8	Max. gradeability with/without load		%	See chart
	5.10	Service / parking brake (I=Hydraulic E=Electromagnetic M=Mechanical)			I / E
	5.10.1	Type of service brake front/rear			Drum / mult. disks
Electric motor	6.1	Drive motor rating S2 60 min		kW	2 x 6,6
	6.3	Battery according to DIN 43531 / 35 / 36 A, B, C, no			no
	6.4	Battery voltage, nominal capacity ¹⁾	K_5	V/Ah	48/ 480
	6.5	Battery weight		kg	760
	6.6	Energy consumption according to EN 16796		kWh/h	1,77
Others	8.1	Electronics control			Inverter AC
	8.4	Sound level at driver's ear according to EN 12053		dB(A)	69

¹⁾ Performances and weight are intended with 480 Ah battery.

As per VDI guidelines 2198, this datasheet applies to standard electric tractor / platform truck only. Dimensions are not binding and can be changed in any moment. The performances must be intended for brand new machines, after having completed the running-in tested in San Donato Milanese factory in normal climatic conditions. Performances and weight are to be intended with standard motors and battery and with pneumatic tires. Some data can vary according to different equipments.

Dimensional drawings

EXAMPLE OF GRAPH READING:

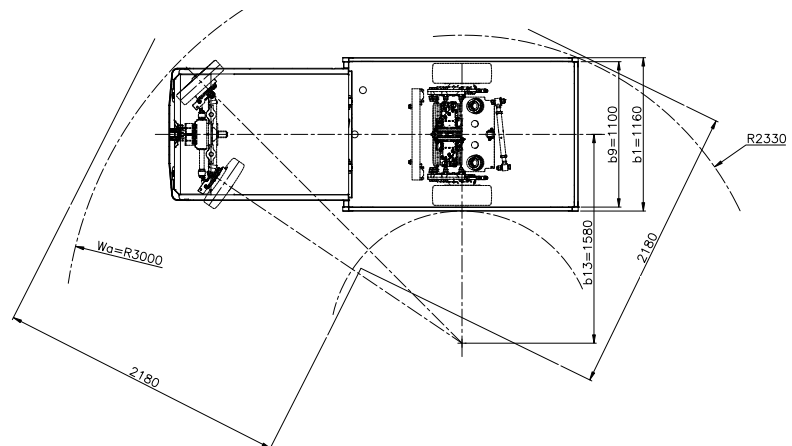
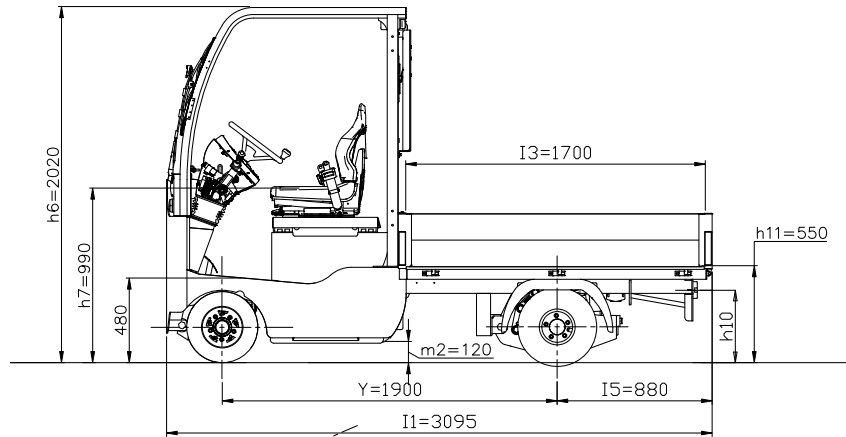
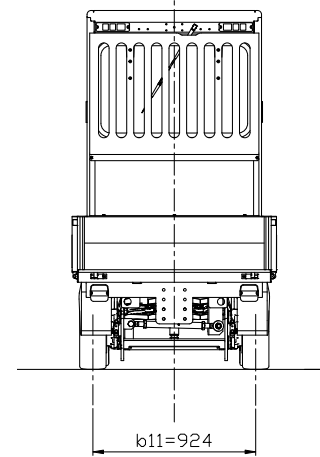
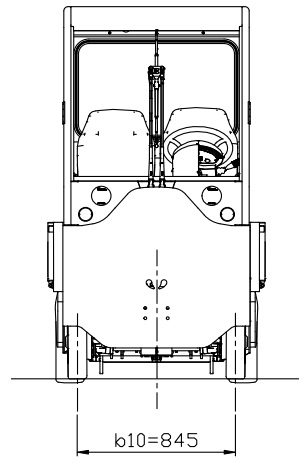
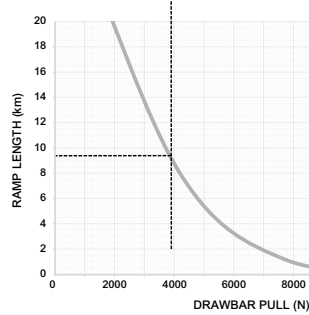
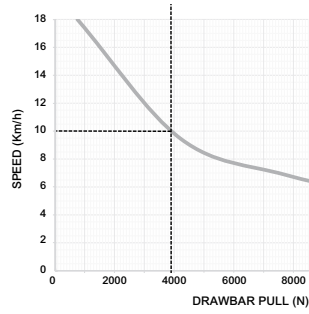
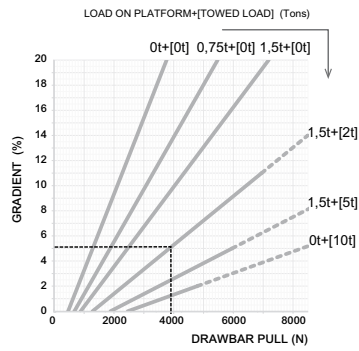
TOWED LOAD = 1,5t + [2t]

GRADIENT (i) = 5 %

DRAWBALL PUL (F) = 3900 N

SPEED (V0) = 10 km/h

MAX. PRACTIBLE RAMP LENGTH (s) = 9 km



Standard equipments:

- Operator presence system
- AC power system
- Side battery exchange
- Adjustable steering column
- Pneumatic tyres
- Automatic parking brake
- Regenerative braking
- Head and taillights, turn signal lights
- Digital display

