

# Towing tractor 2.0 ton

**TRACTO**

W-series

TWE200



# Towing truck

Truck specifications					TWE200
Identification	1.2	Model			TWE200
	1.3	Drive			Electric
	1.4	Operator type			Hand
	1.5	Load capacity/rated load	Q	kg	2000
Weight	2.1	Service weight with battery		kg	190 <sup>1)</sup>
Wheels	3.1	Drive wheel			Rubber, foam filled
	3.2	Wheel size, front		mm	Ø 260x85
	3.3	Wheel size, rear		mm	Ø 200x35
	3.5	Wheels, number front/rear (x = driven wheels)			2x/1
Dimensions	4.2	Height	$h_1$	mm	517
	4.9	Height of tiller in drive position, min./max	$h_{14}$	mm	955/1120
	4.12	Coupling height towing pin towing ball	$h_{10}$	mm	230/300
			$h_{10}$	mm	465
	4.19	Overall length	$l_1$	mm	900
4.21	Overall width	$b_1$	mm	493	
Perf. data	5.1	Travel speed, with/without load		km/h	5/5
	5.7	Gradeability, with/without load <sup>2)</sup>		%	
Motor	6.1	Drive motor rating		kW	0,4
	6.4	Battery voltage, nominal capacity $K_5$		V/Ah	24/36 <sup>3)</sup>
Other	8.1	Type of drive control			Curtis
	8.4	Sound level at the driver's ear according to EN 12053		dB(A)	70

<sup>1)</sup> Service weight incl. battery same for all type of battery options.

<sup>2)</sup> See diagram for values.

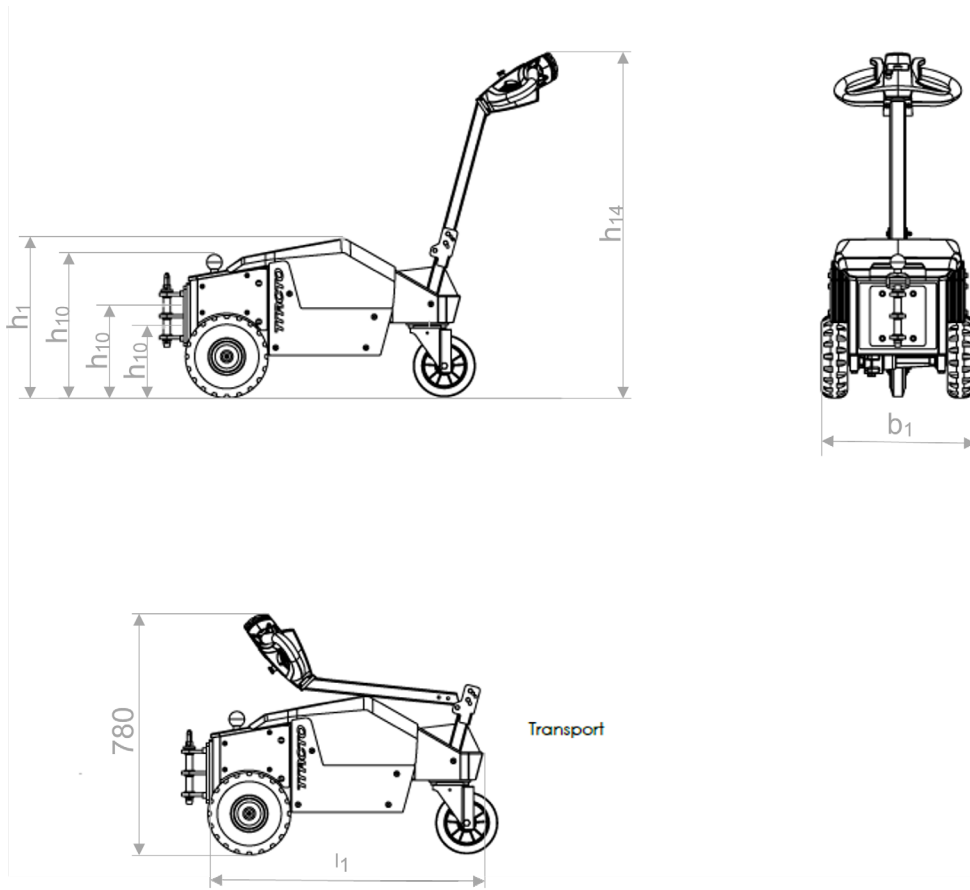
<sup>3)</sup> Different battery options available.

All data are based on table configuration. Other configurations may give other values.

Truck performance and dimensions are nominal and subject to tolerances.

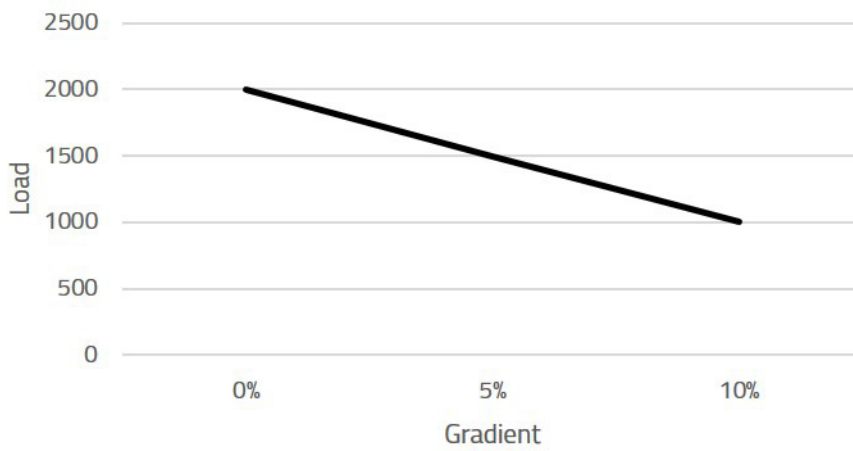
Products and specifications are subject to change without notice.

# Dimensional drawings



# Gradeability

Gradeability TWE200



---

## Truck features:

- Compact and easy to manoeuvre
- Ergonomic handle
- Rubber, foam filled wheels
- Foldable steering arm
- Combination towing device/tow ball
- Pincode keypad (option)
- Li-ion batteries availability (option)
- Speed button as standard

